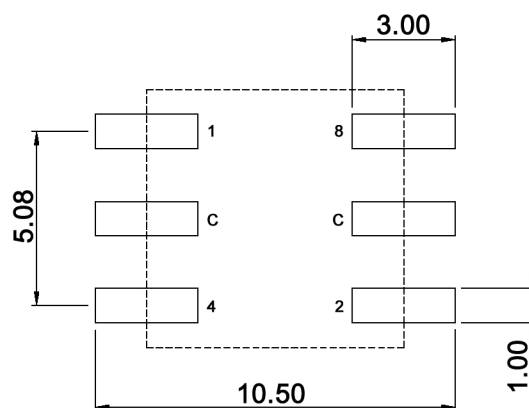


| | | BCD | | | | |
|---|---|------------|---|---|---|---|
| | | Real coded | | | | |
| 10 P o s i t i o n s | C | 1 | 2 | 4 | 8 | |
| | 0 | ● | | | | |
| | 1 | ● | ● | | | |
| | 2 | ● | | ● | | |
| | 3 | ● | ● | ● | | |
| | 4 | ● | | | ● | |
| | 5 | ● | ● | | ● | |
| | 6 | ● | | ● | ● | |
| | 7 | ● | ● | ● | ● | |
| | 8 | ● | | | | ● |
| 9 | ● | ● | | | ● | |

P.C.B. DIMENSION

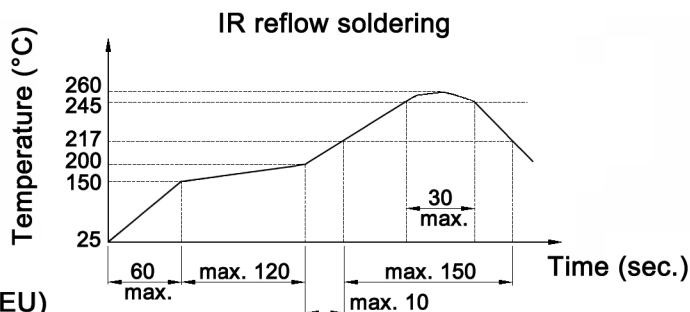


Specifications:

- Contact rating: non-switching: 400mA, 42V
switching: 100mA, 42V
- Contact resistance: 80mOhm max.
- Insulation resistance: 100MOhm min. at 250V DC for 1 minute +/-5sec.
- Dielectric strength: 250V DC (50Hz/60Hz) for 1 minute
- Operating temperature: -50°C to +125°C
- Storage temperature: -55°C to +135°C
- Mechanical life: 25 000 cycles
- Operating force: 2.5 Ncm max.
- Material: Cover / spring plate / guide plate: stainless steel
Contact / terminal: phosphor bronze, min. 0.07µm gold plated over min. 0.3µm nickel
Rotor / base: LCP, UL94V-0
O-ring: silicone
Actuator color: pink

Protection: IP67

Soldering conditions:



Compliance: RohS III (2015/863/EU)

| Tolerances: | DIN ISO-2768-1m | Date | Name |
|----------------------|-----------------|-------|------|
| | 0.5-6: ±0.1 mm | 10/08 | dr |
| | 6-30: ±0.2 mm | | |
| Torque | 05/24 | dr | |
| Packaging | 02/15 | dr | |
| Packaging | 06/12 | dr | |
| Soldering conditions | 10/09 | dr | |
| Material | 05/09 | dr | |
| Modifications | Date | Name | |

SMR 15010

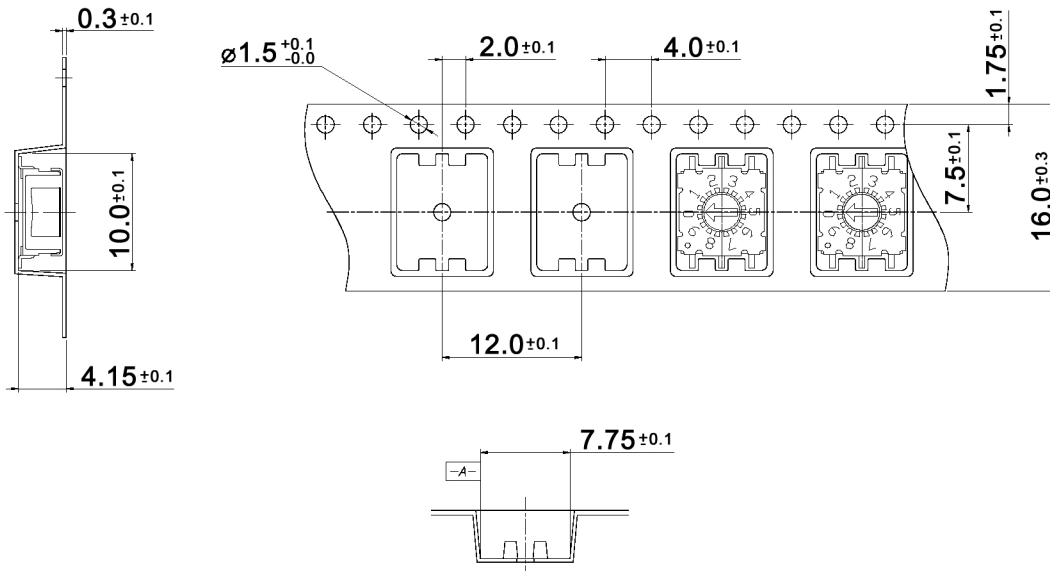
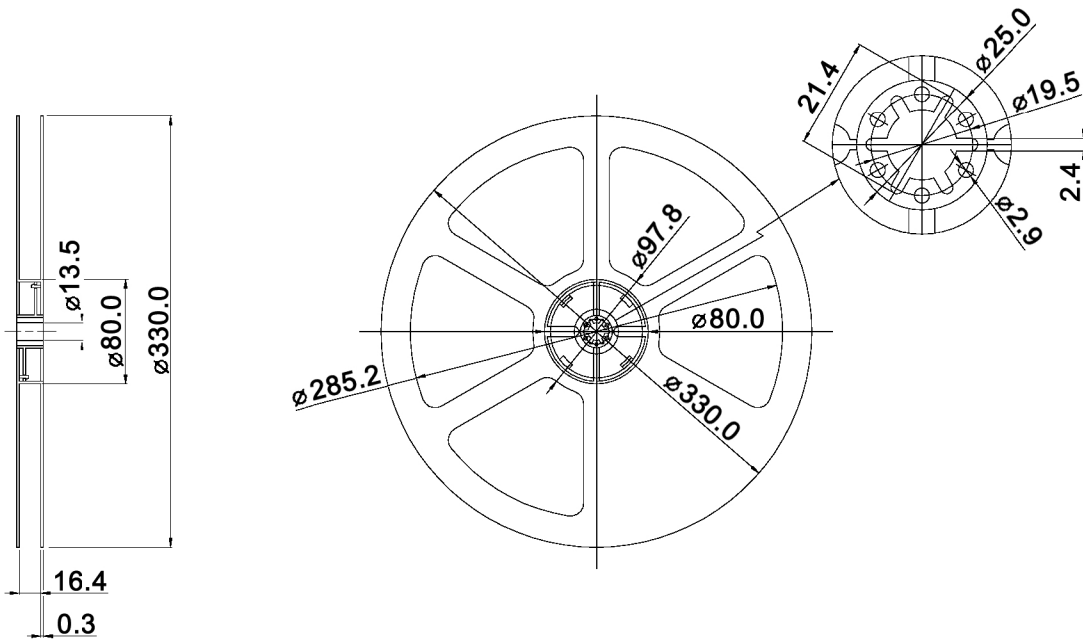
30 16 16

knitter-switch

Page

1/2

Packaging:



| Type | Packaging unit |
|-------------|--------------------|
| SMR 15010 | 70 pcs. per stick |
| SMR 15010 T | 1300 pcs. per reel |

Tolerances on tape: ±0.20mm

Compliance: RohS III (2015/863/EU)

| Tolerances: | 0.0: ±0.13mm | 0.00: ±0.10mm | Date | Name |
|----------------------|--------------|---------------|-------|------|
| | | | 10/08 | dr |
| Torque | 05/24 | dr | | |
| Packaging | 02/15 | dr | | |
| Packaging | 06/12 | dr | | |
| Soldering conditions | 10/09 | dr | | |
| Material | 05/09 | dr | | |
| Modifications | Date | Name | | |

SMR 15010

knitter-switch

30 16 16

Page

2/2